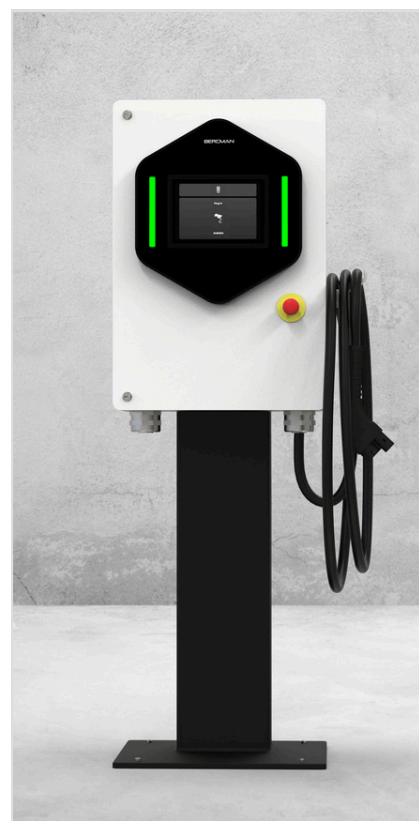




# Wallbox DC Charger Pedestal

Freestanding mounting solution for Bercman Energy Wallbox DC charger



**Dimension:** H 1700 x W 510 x D 610 mm. Base: W 550 x D 610 mm

**Weight:** 62,4 kg

**Material:** Carbon steel

**Colour:** Customisable colouring based on the customer's RAL code

**Storage temperature:** -40° C...+70° C

**Protection index:** IK10

- Designed to support both single and dual cable configurations
- Constructed from durable carbon steel for long-lasting performance
- Easy to install and assemble
- Ideal for locations where wall mounting isn't possible

## BERCMAN ENERGY

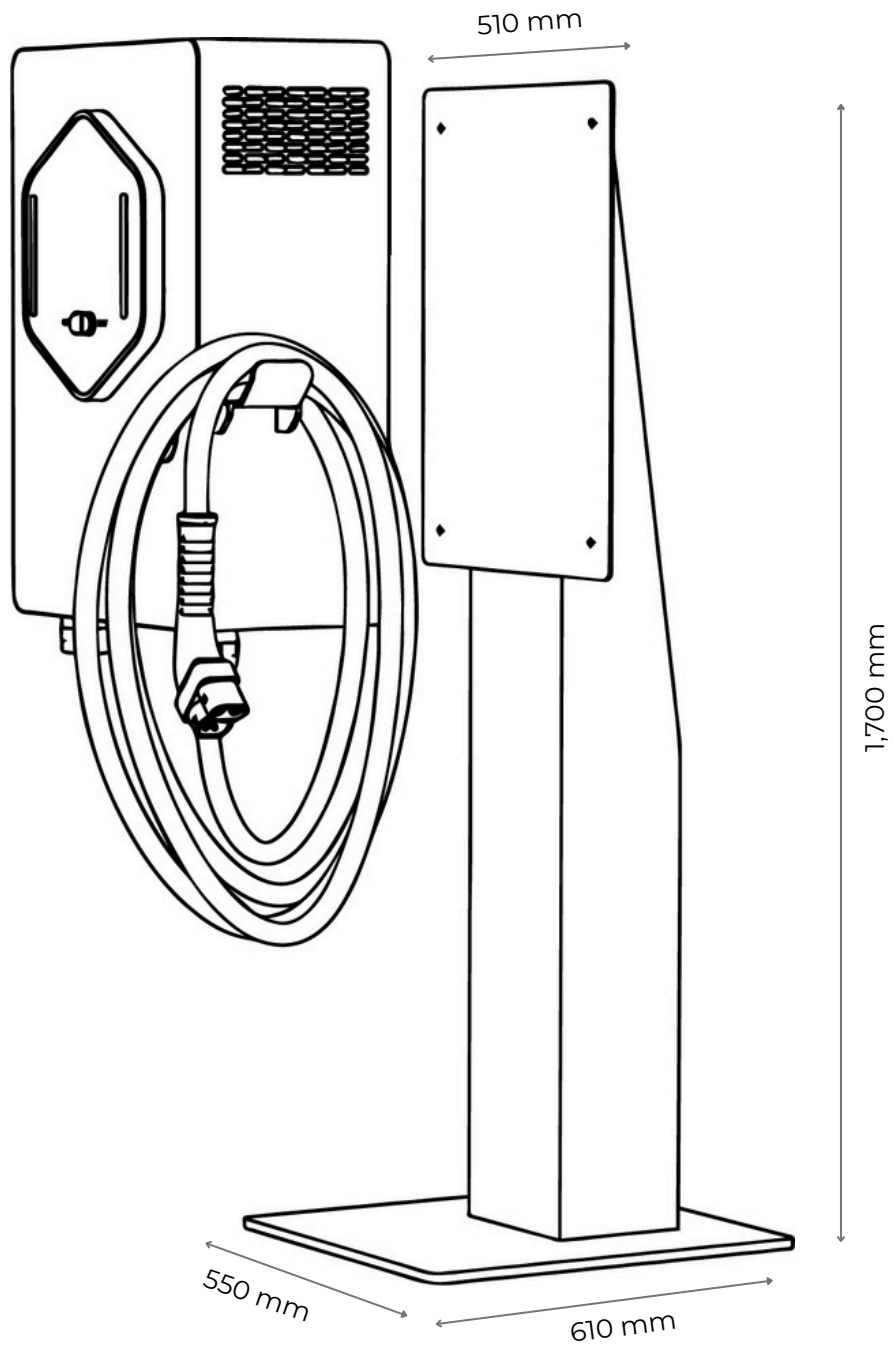
For more information, please contact Bercman Energy

Phone: +372 5385 5877

E-mail: [info@bercman-energy.com](mailto:info@bercman-energy.com)



# Dimensions



**Dimension:** H 1700 x W 510 x D 610 mm. Base: W 550 x D 610 mm

## BERCMAN ENERGY

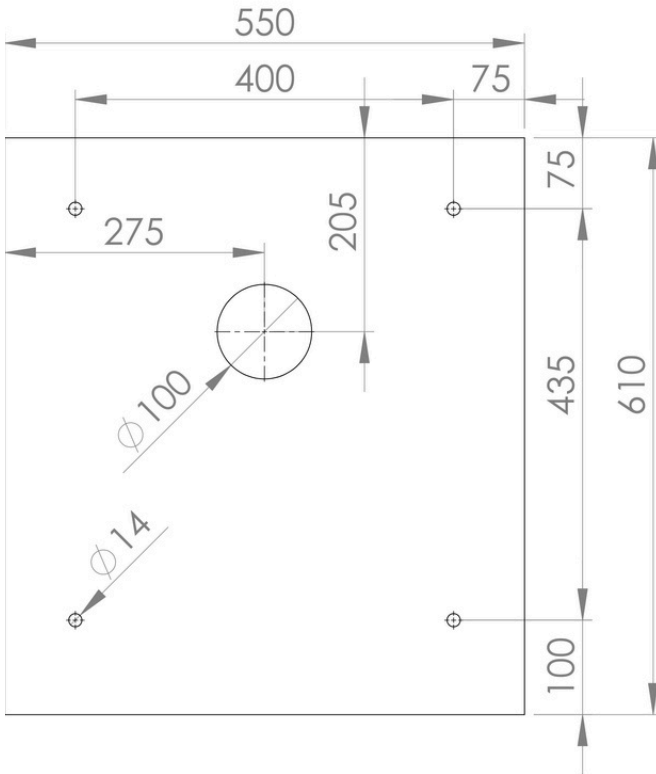
For more information, please contact Bercman Energy

Phone: +372 5385 5877

E-mail: [info@bercman-energy.com](mailto:info@bercman-energy.com)



# Installation



## Mounting base:

- Dimension: W 550 x D 610
- Distance between rear mounting holes (width-wise): 400 mm
- Distance between rear and front mounting holes (depth-wise): 435 mm
- Clearance from the rear holes to the back edge: 75 mm
- Clearance from the front holes to the front edge: 100 mm
- Hole diameter for anchors:  $\varnothing 14$  mm
- Power cable entry: a central hole of  $\varnothing 100$  mm to allow routing of the power grid wiring.
- The center of the  $\varnothing 100$  mm hole is positioned 275 mm from the left edge and 205 mm from the rear edge of the pedestal base footprint.

- Do not mount the base on asphalt. The stability of the pedestal on asphalt is not guaranteed.
- The Wallbox charger with a stand must be mounted on a concrete foundation for secure and stable installation.
- Use appropriate fasteners.
- For mounting, use M12 concrete anchors, length: 95 mm, to ensure a firm hold.
- Install the stand in a well-ventilated area to prevent overheating and ensure efficient cooling of the charger.
- The concrete foundation should be designed so as to allow water to flow away from the base, preventing accumulation around the pedestal.
- Plan for electrical conduit placement before installing the base.
- Ensure cables are properly protected and routed through the stand to avoid exposure to external elements.
- Align the pedestal base correctly with the pre-drilled anchor holes.
- If installed outdoors, ensure the charger and stand are protected from direct exposure to extreme weather conditions

## BERCMAN ENERGY

For more information, please contact Bercman Energy

Phone: +372 5385 5877

E-mail: [info@bercman-energy.com](mailto:info@bercman-energy.com)